



# FreeSpace® 3 Series II System



## Flexibility. Elegance. Performance.

Tailoring our premium FreeSpace business music system to customers' needs is fast and simple. Sleek new flush-mount components provide acclaimed Bose® performance with flexible new mounting options that let you install Acoustimass® modules and satellite speakers anywhere you'd put a ceiling speaker. It has never been easier for customers to move up to Bose quality.

## Premium Bose sound for nearly any business.

This flagship business music system from Bose delivers rich, powerful music for foreground and background applications, injecting new energy into any business space. With versatile new mounting options, the FreeSpace 3 Series II system brings premium Bose sound at a reasonable price to a wide variety of small- and medium-sized commercial applications ranging from retail to restaurant to hospitality operations.



## Clean, simple design installs quickly anywhere.

In addition to the original system's tiny surface-mount cube speakers, the FreeSpace 3 Series II system now features a new, flush-mount FreeSpace 3F satellite speaker and round flush-mount Series II Acoustimass module for bass, to meet the requirements of more applications than ever.

A proprietary enclosure and mounting accessories allow the new Acoustimass module to be surface-mounted, pendant-mounted, or flush-mounted in any tile, open or hard ceiling. It can even be installed between studs in a wall, if needed. Mounting arms make it easy

to install above any ceiling, and its trim, elegant design nearly disappears in most environments. The new Acoustimass module can be used as part of a FreeSpace music system, or added to existing systems for customers who want the impact of deep, full bass.

The new FreeSpace 3F flush-mount satellite speaker offers similar versatility in a compact design. Just mount it, connect it to the Acoustimass module, and installation is finished. All controls are easily accessible under the grille, so once you mount the speaker, there's no need to open the ceiling again for adjustments.

For maximum flexibility, all three FreeSpace speakers are paintable, and can be mixed and matched to suit the installation.

## Engineered for demanding business applications.

FreeSpace 3 Series II components are plenum rated when used with the plenum cover accessory, and they have been engineered and tested for demanding business environments. They are backed by a transferable five-year limited warranty.



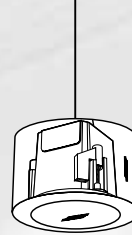
**Quick-scan benefits of the FreeSpace 3 Series II system.**

**Proprietary 2¼" FreeSpace 3F satellite speaker brings Bose quality to music. Mounts in 5" ceiling hole.**

**New FreeSpace 3 Series II Acoustimass® module delivers bass down to 50Hz. Flush mounts in 14¼" hole in ceiling or wall.**

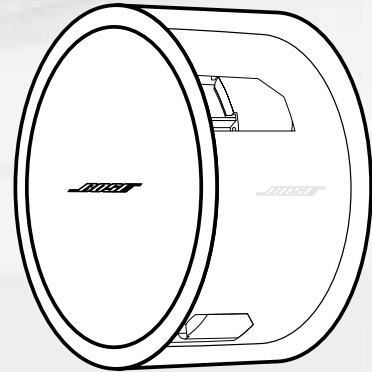
**Versatile installation options for flush, surface and pendant mounting in tile, hard, or open ceilings.**





**An elegant solution for any room configuration.**

New FreeSpace® components can be flush-, surface- or pendant-mounted in any tile, hard or open ceiling. The Acoustimass® module can even be wall-mounted between studs.



Plenum rated when used with the plenum cover accessory.

Mix and match new flush mount speakers with original surface mount cube speakers to tailor a complete system to nearly any space.

Integrated mounting arms for fast, easy installation.

Attractive pricing makes it easier than ever to move up to premium Bose quality.

# FreeSpace® 3 Series II System

## System specifications

### Impedance:

70/100V or 8 ohms

### Power handling capacity:

200w continuous at 70/100V operation

### Frequency response:

50Hz to 16kHz  $\pm 3$ dB

### Sensitivity:

82dB SPL @1w, 1 m

### Maximum output:

93dB SPL,  $\pm 3$ dB

## Accessories

**Rough-in pan** for easy installation in hard ceilings.

**Pendant mounting kit** for easy installation in open ceilings.

**Tile bridge** for easy installation in tile ceilings.

**Surface mount kit** for easy installation of FS3B Acoustimass module on hard ceilings, walls.

**Plenum cover** for installation in air-handling spaces.

## FreeSpace 3F flush-mount satellite speaker

### Dimensions:

6.2" (15.7 cm) outer flange diameter

5.0" (12.7 cm) ceiling hole diameter

5.0" (12.7 cm) to top of housing

### Weight:

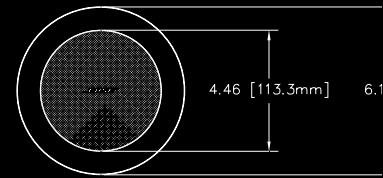
1.9 lb. (0.9 kg)

### Driver complement:

One 2¼" full-range driver with 170 degrees of conical dispersion

### Color:

Black or white. Paintable with any Krylon® paint to match any décor



## FreeSpace 3 Series II Acoustimass® module (FS3B)

### Dimensions:

15.4" (39.1 cm) outer flange diameter

14.25" (36.1 cm) ceiling hole diameter

7.5" (19.01 cm) height to top of housing

### Weight:

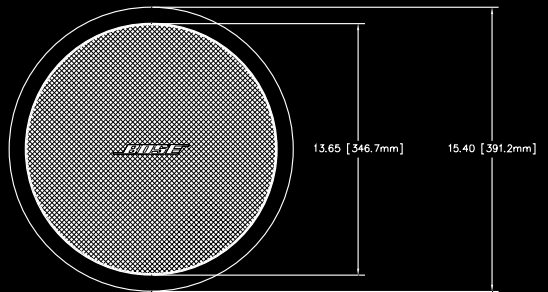
14 lb. (6.36 kg)

### Driver complement:

One 5¼" woofer

### Color:

Black or white. Paintable with Krylon® paint to match any décor



## FreeSpace 3 Series II surface-mount cube speaker

### Dimensions:

3.0"H x 3.0"W x 4.0"D (7.7 cm x 7.7 cm x 10.2 cm)

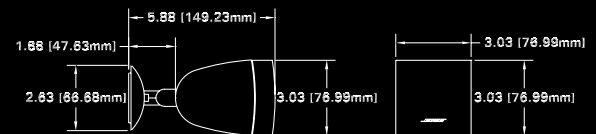
### Weight:

1.75 lb. (0.8 kg)

### Driver complement:

One 2¼" full-range driver with 170 degrees of conical dispersion

**Color:** Black or white. Paintable with any Krylon® paint to match any décor



**For more information  
call 877.428.2673**

or contact Bose Corporation,  
Professional Systems,  
The Mountain, Framingham,  
MA 01701.

<http://pro.bose.com>

**BOSE**  
Better sound through research®