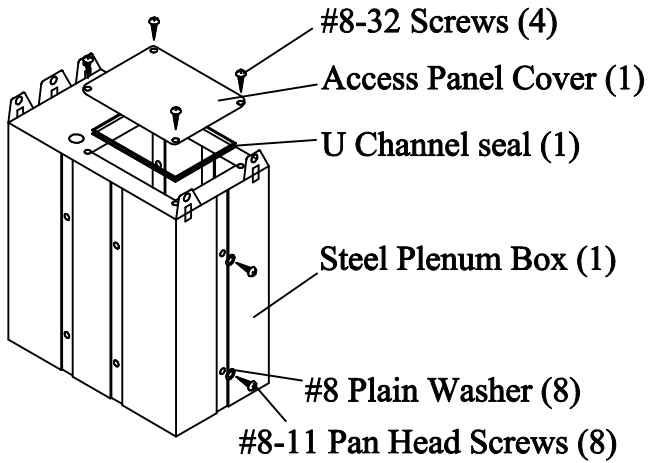


# BOSE FreeSpace® 3 Bass Module Plenum Box Installation Guide

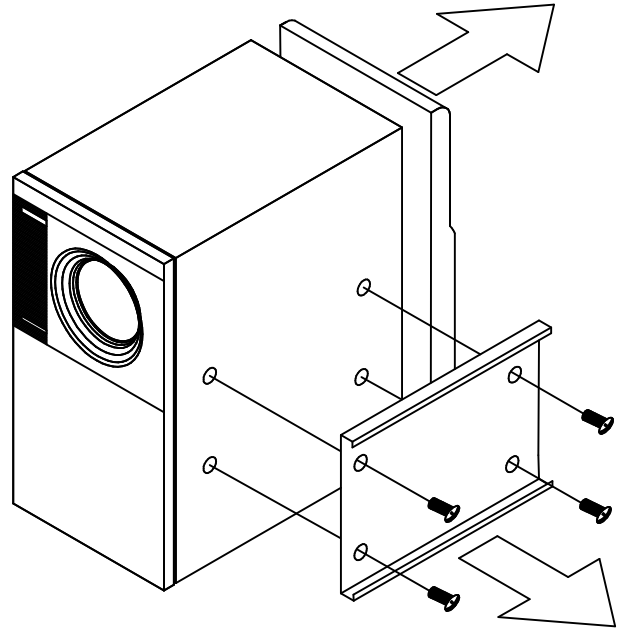
## 1 Parts



Note: Bose part 022623 FreeSpace 3 Mounting Kit is also required for this installation.

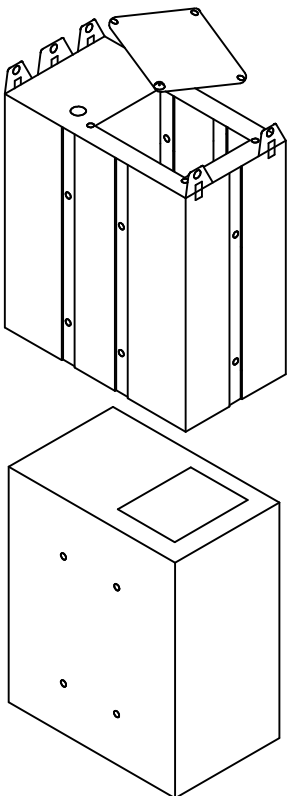
## 2

Remove the bracket plate and the back cover from the FreeSpace 3 Bass Module. Save insert bolts for box installation.



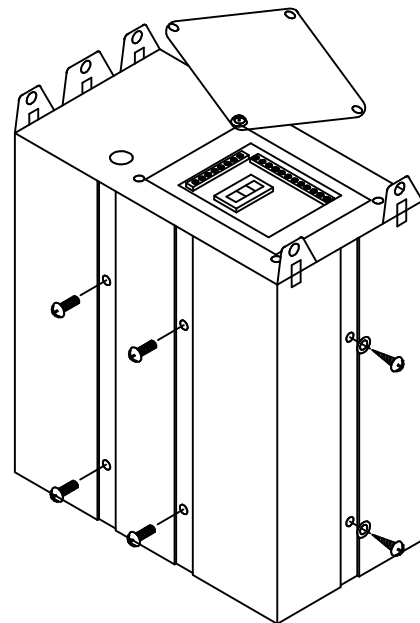
## 3

With bass port facing downward, place plenum box over FreeSpace Module being sure to line up access panel in box with input panel on cabinet.



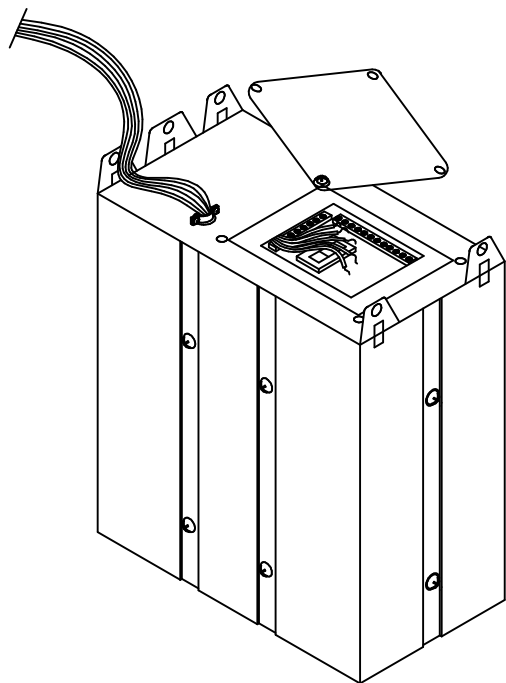
## 4

Secure the cabinet to the box by first connecting the 4 insert bolts removed in step 2 then use the 8 washers and screws provided.

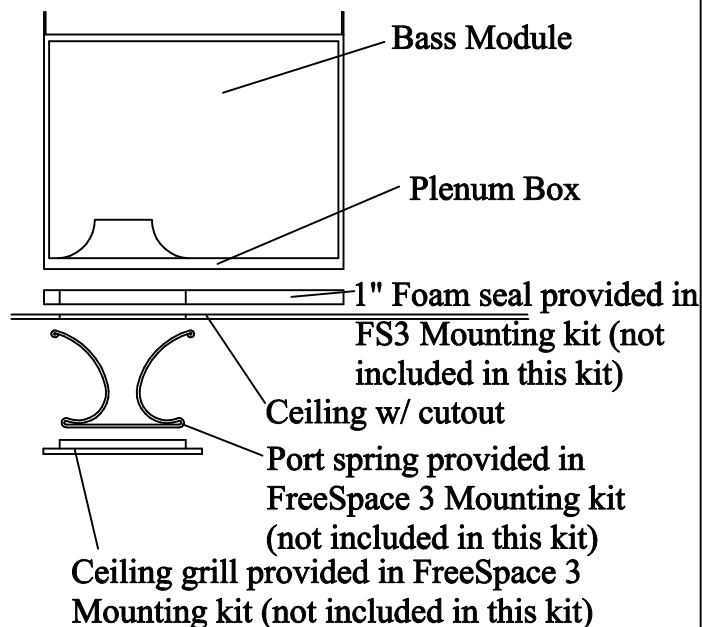


# **BOSE**® FreeSpace® 3 Bass Module Plenum Box Installation Guide

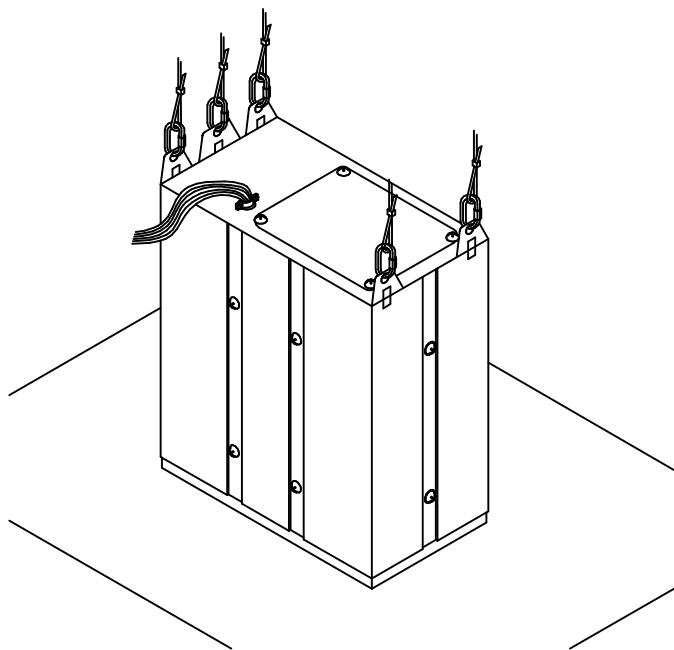
**5** Install 1/2" clamp-style conduit fitting into 7/8" hole. Feed wire through fitting and wire bass module as necessary.



**6** Once location of bass module has been determined, make appropriate cutout in ceiling to fit the grill found in the Bose FreeSpace 3 Install kit. Model 8 hole saw is recommended.



**7** Calculate weight load per local code using a box weight of 30 lbs. Suspend at 4 outside points as well as the center safety point.



**8** This guide is to be used as a reference guide only. Some situations may require additional supporting, cabling, etc. Close attention to site conditions, local code requirements, as well as neatness should be given.

