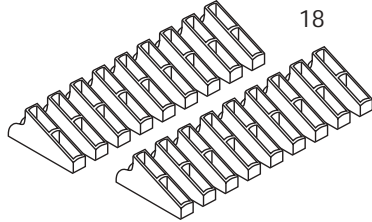
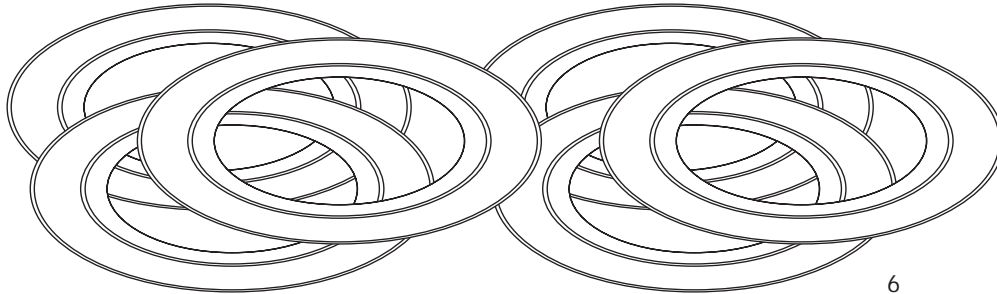
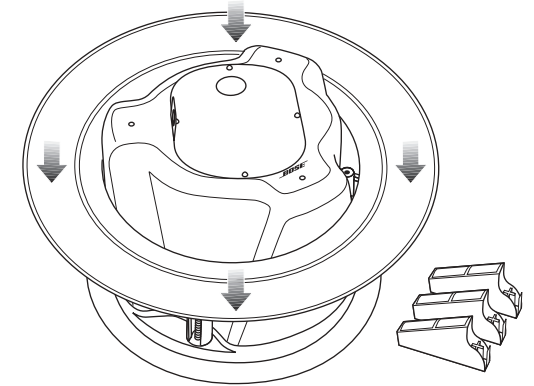


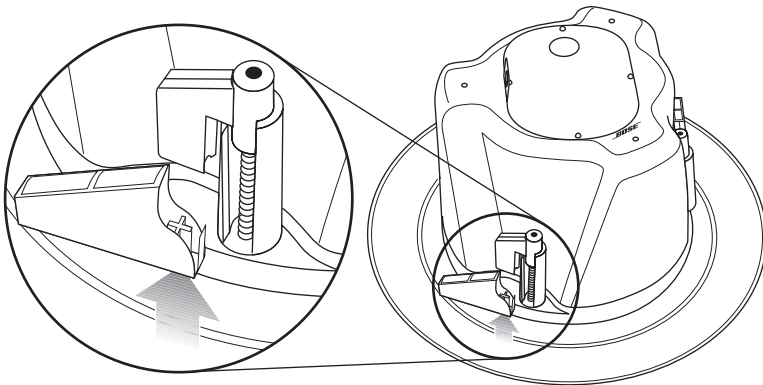
Contents
Indhold
Inhalt
Contenido
Contenu
Contenuto
Inhoud
Innehåll



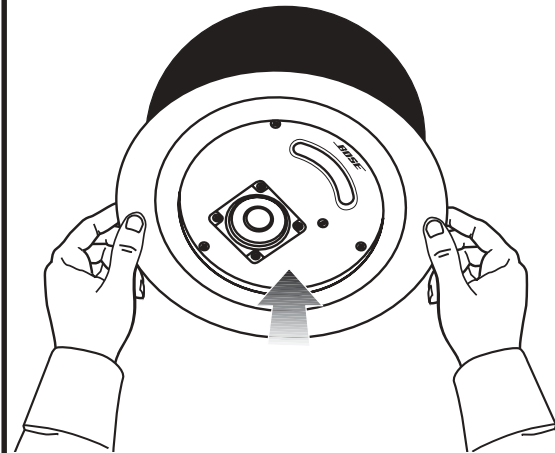
1



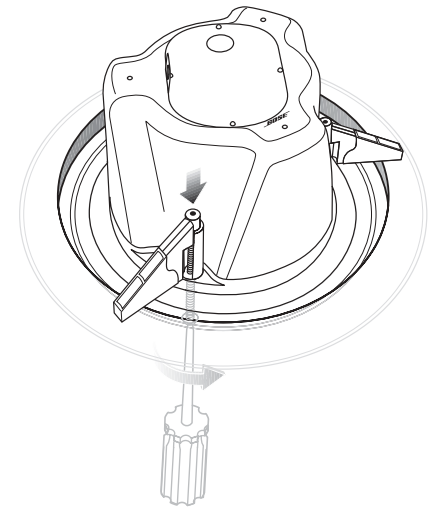
2



3



4



BOSE[®]
Better sound through research.

©2002 Bose Corporation, The Mountain
Framingham, MA 01701-9168 USA
263673 AM Rev.00 JN30382