

These instructions are for use with the Bose® 203™ loudspeaker. Follow these directions carefully. For mounting on studs and drywall: use **TWO** ¼" (6.5 mm) lag screws AND **TWO** ¼" (6.5 mm) x 2" (50 mm) toggle bolts.

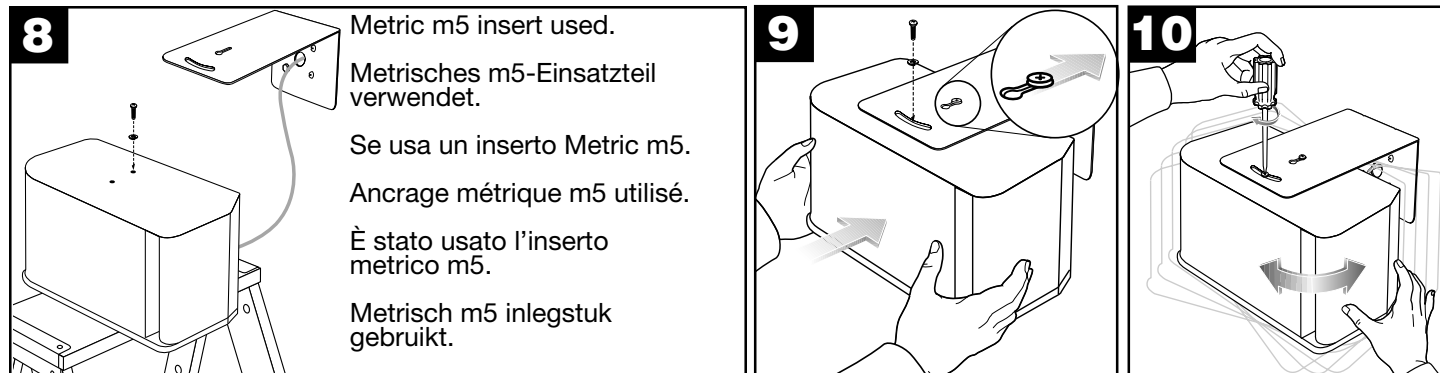
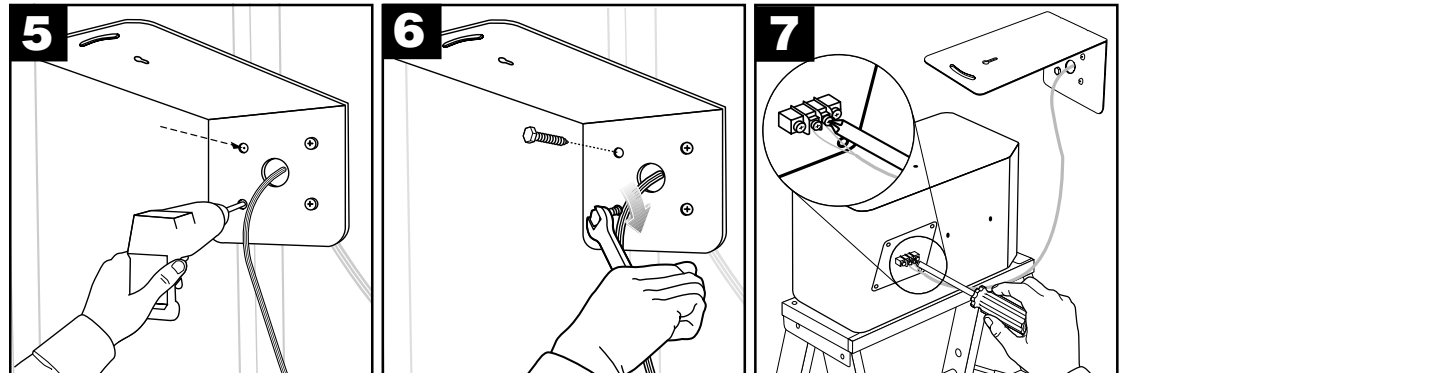
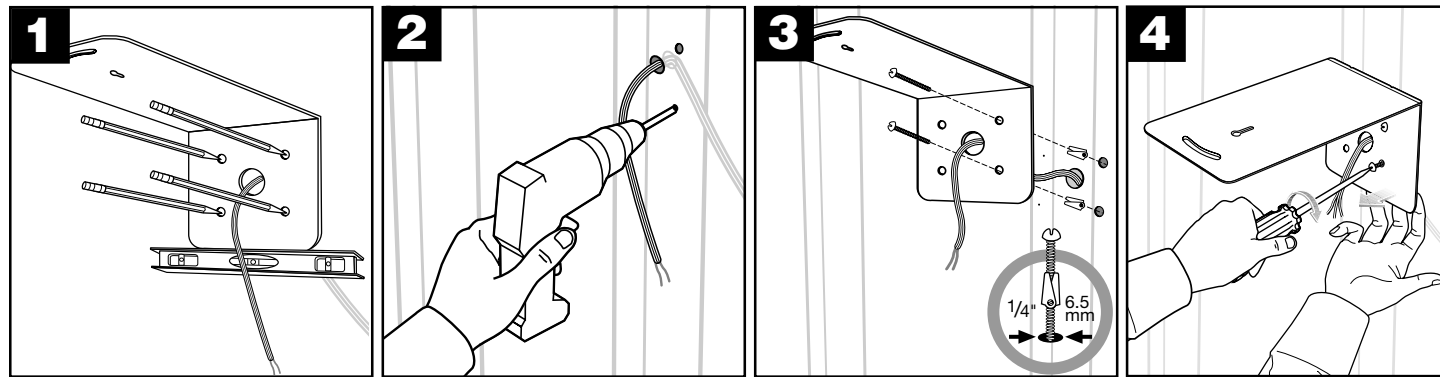
Diese Anweisungen gelten für den Bose-203-Lautsprecher. Halten Sie sich bitte genau an diese. Bei Befestigung an Pfosten und trockener Futtermauer: ZWEI 6,5 mm Achtkantschrauben UND ZWEI 6,5 mm x 50 mm Knebelbolzen verwenden.

Estas instrucciones son para usarse con el altavoz Bose 203. Siga estas instrucciones atentamente. Para montar en las vigas o en la pared: use DOS tornillos para madera con cabeza de tuerca de 6,5 mm Y DOS pernos acodillados de 6,5 mm x 50 mm.

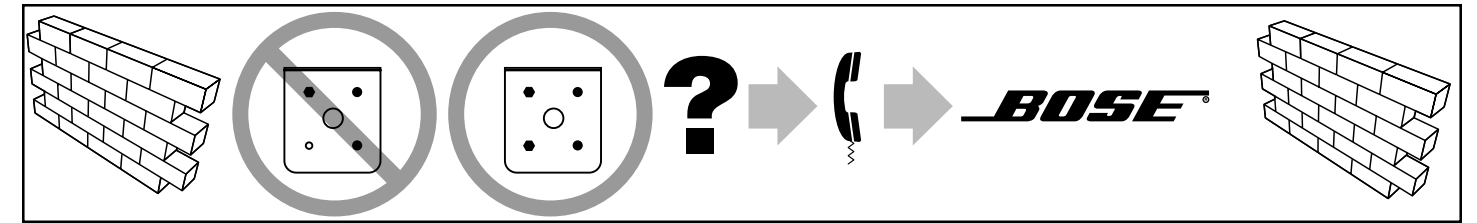
Ces instructions s'appliquent aux enceintes Bose 203. Veuillez suivre soigneusement les instructions. Pour montage sur cloison sèche et colombage : utilisez DEUX tire-fond de 6,5 mm ET DEUX boulons à ailettes de 6,5 mm x 50 mm.

Queste istruzioni sono da usare per i diffusori Bose 203. Seguite queste istruzioni attentamente. Per il montaggio su traverse e muri con pannelli prefabbricati: usate DUE viti con tassello da 6,5 mm E DUE bulloni con fermo da 6,5 mm x 50 mm.

Deze instructies zijn bestemd voor gebruik met de Bose 203 luidspreker. Volg de instructies zorgvuldig. Om op stijlen en gipsplaten te monteren: gebruik TWEE 6,5 mm schroeven EN TWEE 6,5 x (50 mm) spanbouten.



Metric m5 insert used.  
Metrisches m5-Einsatzteil verwendet.  
Se usa un inserto Metric m5.  
Ancrage métrique m5 utilisé.  
È stato usato l'inserto metrico m5.  
Metrisch m5 inlegstuk gebruikt.



These instructions are for use with the Bose® 203™ loudspeaker. Follow these directions carefully. For mounting on masonry: use **FOUR** ¼" (6.5 mm) lag screws with appropriate anchors.

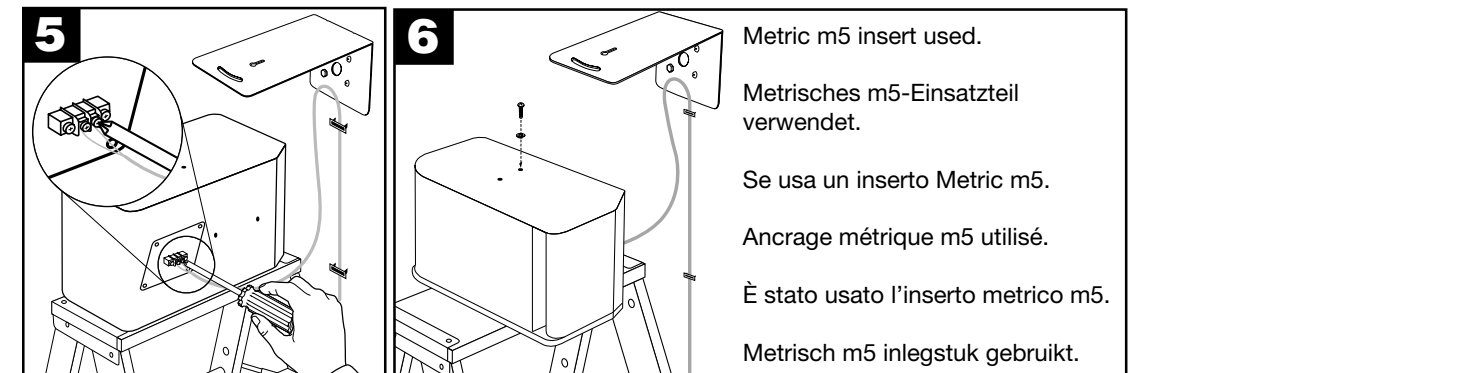
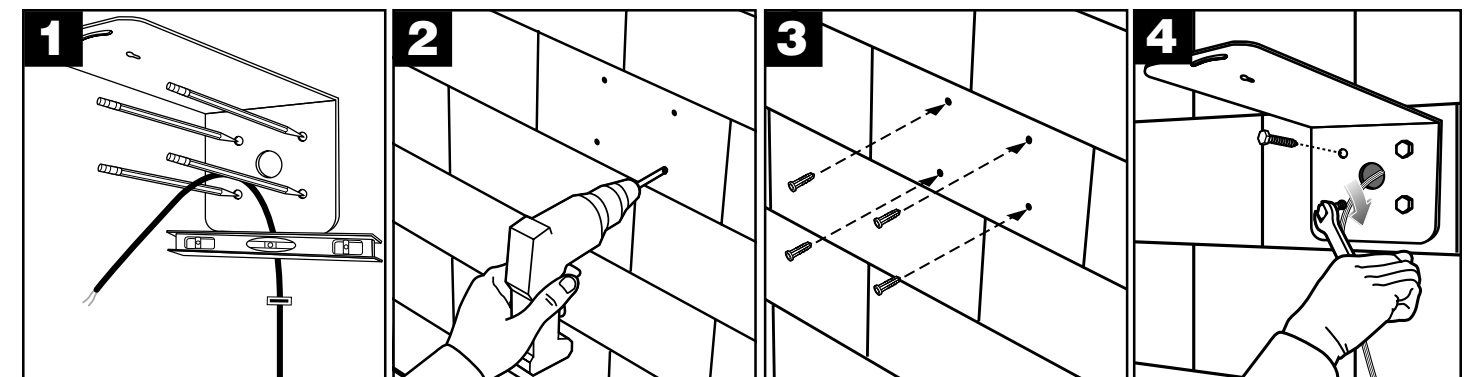
Diese Anweisungen gelten für den Bose-203-Lautsprecher. Halten Sie sich bitte genau an diese. Bei Befestigung an Mauerwerk ist vorher eine passende Ankerung für die 6,5 mm Achtkantschrauben zu installieren.

Estas instrucciones son para usarse con el altavoz Bose 203. Siga estas instrucciones atentamente. Para montar en pared de albañilería: use CUATRO tornillos para madera con cabeza de tuerca de 6,5 mm con los anclajes adecuados.

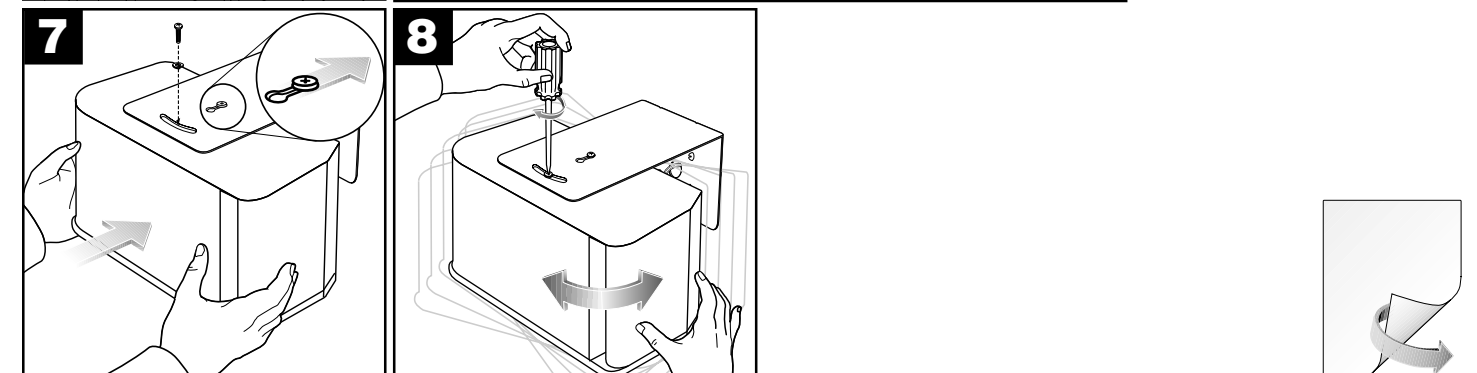
Ces instructions s'appliquent aux enceintes Bose 203. Veuillez suivre soigneusement les instructions. Pour montage sur maçonnerie : utilisez QUATRE tire-fond de 6,5 mm avec les ancrages appropriés.

Queste istruzioni sono da usare per i diffusori Bose 203. Seguite queste istruzioni attentamente. Per il montaggio su muratura: usate QUATTRO viti con tassello da 6,5 mm con i fermi appropriati.

Deze instructies zijn bestemd voor gebruik met de Bose 203 luidspreker. Volg de instructies zorgvuldig. Om op metselwerk te monteren: gebruik VIER 6,5 mm schroeven met de juiste ankers.



Metric m5 insert used.  
Metrisches m5-Einsatzteil verwendet.  
Se usa un inserto Metric m5.  
Ancrage métrique m5 utilisé.  
È stato usato l'inserto metrico m5.  
Metrisch m5 inlegstuk gebruikt.



## Technical Specifications

### 203 Versions

- 6Ω, 100 Watt, (no transformer)
- 70V, 80 Watt, (transformer accessory)

### Frequency Range

60Hz to 16kHz, ±3dB

### Sensitivity

84dB-SPL, 1W, 1m

### Maximum Acoustic Output

104dB-SPL

### Long-Term Power Handling

100W continuous

### Beamwidth (-6dB point)

Vertical: 132°

Horizontal: 185°

### Dimensions (enclosure)

Length: 12.83" (32.6 cm)

Depth: 8.43" (21.4 cm)

Height: 7.25" (18.42 cm)

Weight: 6.6 lb (3 kg)

## Loudspeaker Configuration

The Bose® 203™ loudspeaker can be used with the Bose AmPlus™ business music amplifier. It is also compatible with industry standard professional amplifiers. Because the loudspeaker is passively equalized, it does not require an external equalization card. The Bose 203 loudspeaker can be part of a distributed 70V/100V sound system when used in conjunction with the transformer accessory. There are two loudspeakers and two quick install brackets and hardware included per carton.

## Warranty Information

The 203™ loudspeaker is covered by a 5-year, transferable limited warranty.

## USA

Bose Corporation, The Mountain  
Framingham, MA 01701-9168  
1-800-288-BOSE (1-800-288-2673)  
Phone hours – ET (eastern time):  
Weekdays 9 a.m. to 8 p.m.  
Saturdays 9 a.m. to 3 p.m.

## Canada

Bose Ltd., 8-35 East Beaver Creek Road  
Richmond Hill, Ontario L4B 1B3  
1-800-444-BOSE (1-800-444-2673)  
Phone hours – ET (eastern time):  
Weekdays 9 a.m. to 5 p.m.

## European Office

Bose B.V., Nijverheidstraat 8  
1135 GE Edam, Nederland  
TEL 0299-390190 FAX 0299-390109

## Australia

Bose Australia, Inc., 1 Sorrell Street  
Parramatta, N.S.W. 2150  
TEL 02 204-6111 FAX 02 204-6122

## Belgique/België

Bose N.V., Limesweg 2, B-3700 Tongeren  
TEL 012-390800 FAX 012-390840

## Danmark

Bose A/S, Industrivej 7, 2605 Brøndby  
TEL 4343-7777 FAX 4343-7818

## Deutschland

Bose GmbH, Max-Planck-Straße 36d  
D-61381 Friedrichsdorf  
TEL 06172-71040 FAX 06172-710419

## France

Bose S.A., 6, rue Saint Vincent  
78100 Saint Germain en Laye  
TEL 01-3061-6363 FAX 01-3061-4105

## India

Bose Corporation India Private Limited  
W-16, Greater Kailash-II  
New Delhi 110 048  
TEL (011) 648-4462 FAX (011) 648-4463

## Ireland

Bose Corporation  
Carrickmacross, Co Monaghan  
TEL 042-61988 FAX 042-61998

## Italia

Bose S.p.A., Via Luigi Capucci 12  
00147 Roma  
TEL 06-5127641 FAX 06-5115438

## Japan

Bose K.K., Shibuya YT Building  
28-3 Maruyama-cho  
Shibuya-ku, Tokyo 150  
TEL 3-5489-1052 FAX 3-5489-0591

## Nederland

Bose B.V., Nijverheidstraat 8  
1135 GE Edam  
TEL 0299-390190 FAX 0299-390109

## Norge

Bose A/S, Solheimsgate 11  
N-2001, Lillestrøm  
TEL 63-817380 FAX 63-810819

## Österreich

Bose Ges.m.b.H., Vienna Business Park  
Wienerbergstrasse 7 (10.OG)  
A-1100 Vienna  
TEL 01-60404340 FAX 01-604043423

## Schweiz

Bose AG, Rünenbergerstrasse 13  
4460-Gelterkinden  
TEL 061-9815544 FAX 061-9815502

## Sverige

Bose A/S, Blandsädsgratan 2D  
S-43146 Mölndal  
TEL 31-878850 FAX 31-274891

## United Kingdom

Bose Limited, Unit G2  
Trinity Trading Estate  
Sittingbourne, Kent ME10 2PD  
TEL 01795-475341 FAX 01795-427227

## From other locations

Bose Customer Service, 1 New York Ave.  
Framingham, MA 01701-9168 USA  
TEL (508) 766-1900 FAX (508) 766-1919

## World Wide Web

www.bose.com

**BOSE**  
Better sound through research®

© 1997 Bose Corporation  
The Mountain  
Framingham, MA 01701-9168  
JN97808 PN191913 Rev.00 AM191913 Rev.00



## DECLARATION OF CONFORMITY

We, the offerer:

**Bose® Corporation, The Mountain,  
Framingham, MA 01701-9168 USA**

acknowledge our sole responsibility, that the product:

**Kind of equipment: Loudspeaker**  
**Type designation: 203™ LOUDSPEAKER**

in accordance with EMC Directive 89/336/EEC  
and Article 10(1) of the Directive,  
is in compliance with the following norm(s) or document(s):

**Technical regulations: EN50081-1, EN50082-1**

Accredited by Bose Corporation

11 April 1997

Bose B.V.  
Nijverheidstraat 8, 1135 GE Edam  
The Netherlands

  
Anton Schalkamp  
General Manager, Bose Europe  
Manufacturer's authorized EU representative

