

BOSE

Panaray® MB4 2x Broadside Bass Array

General Description

The Panaray MB4 Modular Bass Loudspeaker can be used in conjunction with the MB4 2x Broadside Bass Array Bracket and the Panaray System Digital Controller to create directional bass as opposed to traditional omnidirectional dispersion.

The MB4 2x Broadside Bass Array has 360° horizontal coverage with a 10 - 15dB suppression in energy going up and down from 80 - 200Hz. This allows the bass energy to be directed to areas of the installation where it is needed, while keeping the energy away from potential problem areas.

The 2x Broadside Array Bracket accommodates two MB4 Modular Bass Loudspeakers which are spaced 45.0" (114.3 cm) apart. The Panaray System Digital Controller provides the speaker equalization which is stored in a single preset. The result is a single Broadside Bass Array where the bass energy is fired out both ends of the array providing a disc-like dispersion on the vertical plane.

The preset in the Panaray Controller is perfectly matched for use with the 2x Broadside Bass Array Bracket.

Technical Information

Frequency Range

40Hz to 300Hz \pm 3dB

Maximum Acoustic Output¹

116dB-SPL @ 1 m (pink noise)
(both units)

Long-Term Power Handling²

200W continuous (each unit). Total power of system is 400W (2 x 200W)

Impedance

8 Ω nominal (each unit)

Mechanical Specifications

Dimensions: 18.1"D x 10.2"W x 26.7"H (46 cm x 25.9 cm x 67.8 cm)
(each unit)

Weight: 45 lb (20 kg) (each unit)

Connectors: Two (2) parallel-wired NL4 connectors (each unit)

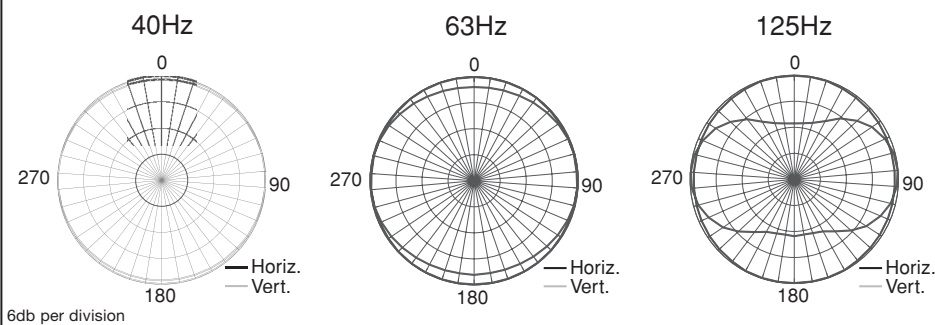
Enclosure construction: High-density MultiFiber multi-layer wood particle panel with high-impact foamed polypropylene end caps

Available colors: White and Black

Additional Information

Spacing: 45.0" (114.3 cm)

MB4 2x Broadside Horizontal and Vertical Octave-Band Polar Data



²Band-limited pink noise is applied to the MB4 and amplified to a level at the loudspeaker terminals corresponding to the long-term rated power handling of the speaker. The average sound pressure level (dB-SPL) is measured at 1 meter from the speaker in an anechoic environment.

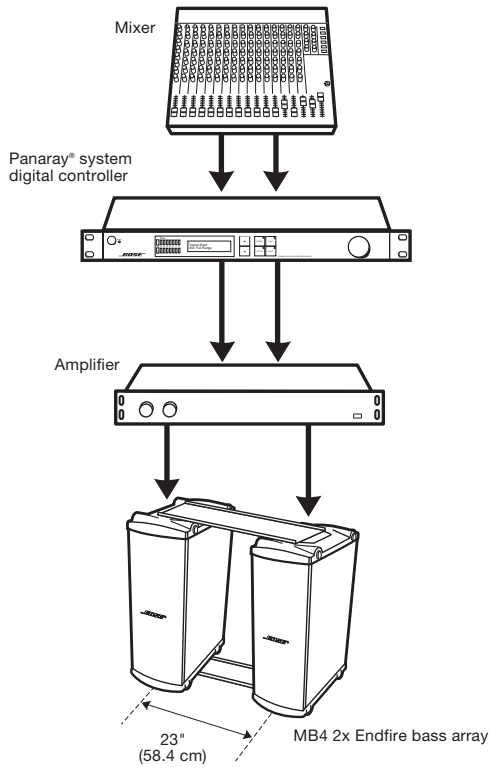
³Band-limited noise, meeting the IEC Standard #268-5 is applied to the MB4 and amplified to a level at the loudspeaker terminals corresponding to the power handling of the loudspeaker. The loudspeaker must show no visible damage or measurable loss of performance after 100 hours of continuous testing.

MB4 2x Broadside Bass Array

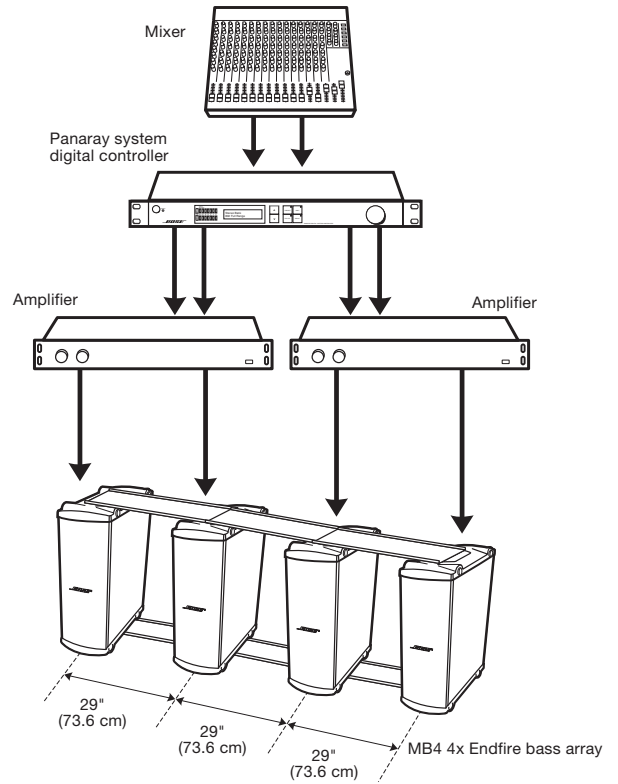
<u>Qty</u>	<u>Description</u>
2	2x Broadside Bass Array Bracket (top and bottom)
1	Panaray System Digital Controller
2	MB4 Modular Bass Loudspeaker

System Configurations

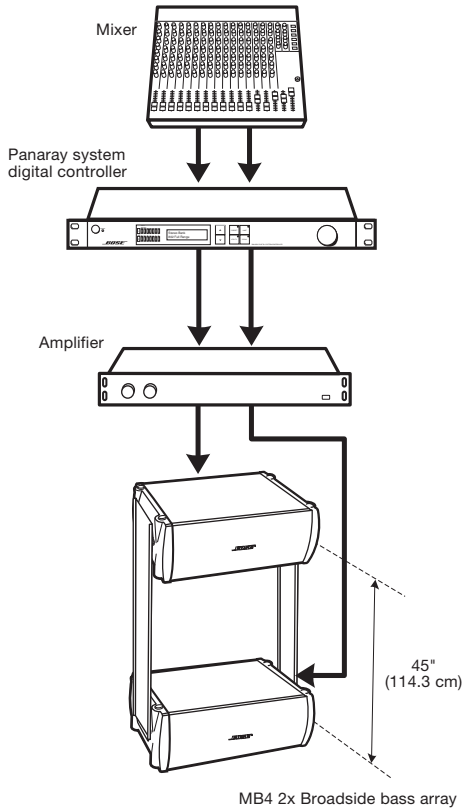
MB4 2x Endfire bass array



MB4 4x Endfire bass array



MB4 2x Broadside bass array



BOSE
Better sound through research.

©2001 Bose Corporation, The Mountain
Framingham, MA 01701-9168
261285 AM Rev.00 PC028151 JN20369
Preliminary